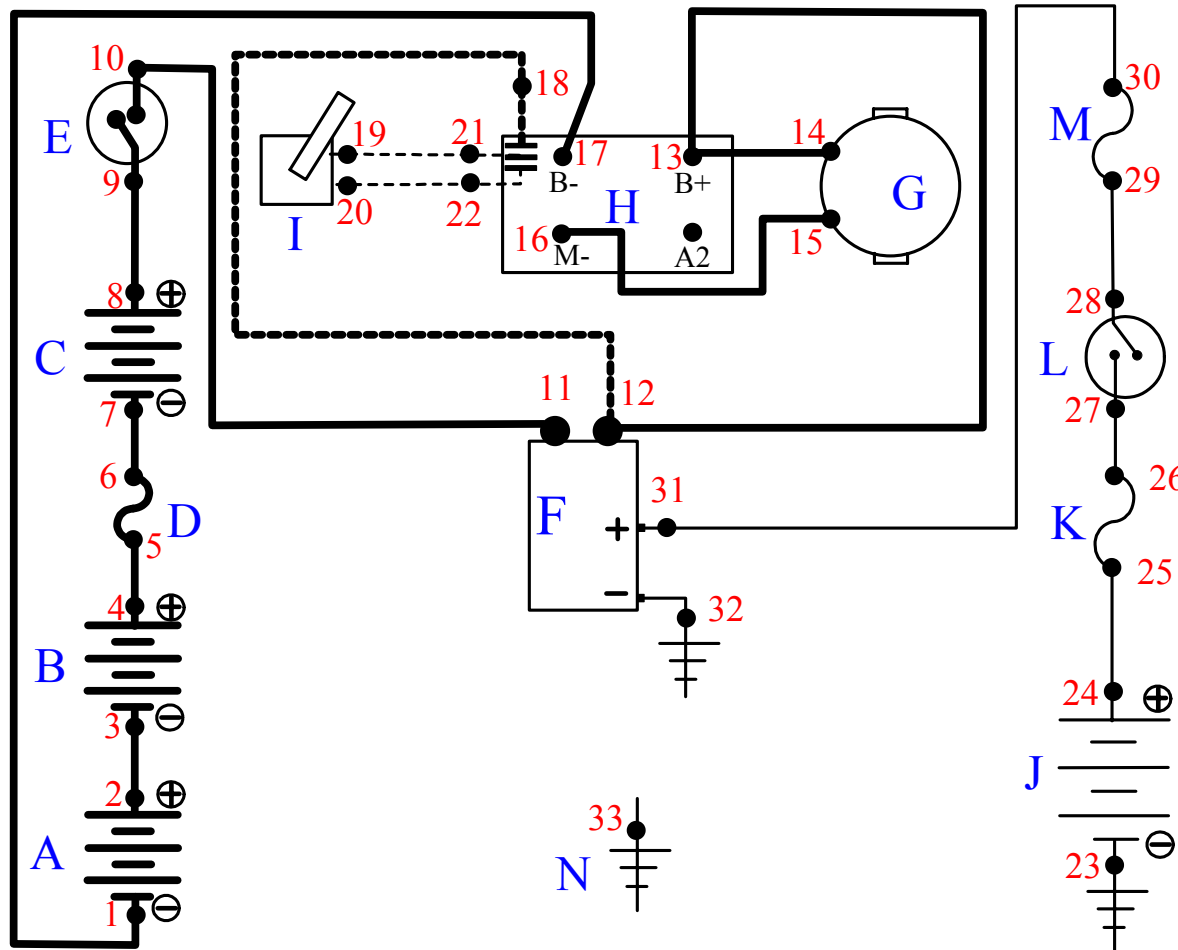




## Troubleshooting Board Wiring Diagram



- High Voltage
- - - High Voltage - Low Current
- - - - Potentiometer Leads
- Low Voltage
- # Test Point

- A, B, C -- 12V Traction Batteries
- D - High Voltage Fuse
- E - Main Disconnect
- F - Main Contactor
- G - Motor
- H - Controller
- I - Potentiometer
- J - 12V Auxiliary Battery
- K - 12V Main Fuse
- L - Key Switch
- M - 12V Contactor Fuse
- N - Chassis Ground